

## PROFESSIONAL KITCHENS

**600-700 DEPTH COUNTERS**

**Model: TG7D/170**

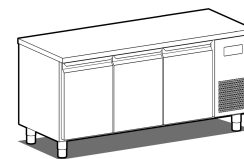
**Code: 40202437**

*NEW ATLAS*

GN 1/1 REFRIGERATED COUNTER - Refrigerated counter  
700 depth, available also with left technical department.

- Construction: made in stainless steel
- Internal capacity: GN 1/1 racks
- Position of technical compartment: on right side
- Refrigeration type: ventilated cooling system
- Control board panel: 2.8" touch control panel, digital display
- prearranged to be installed on plinth
- Defrosting system: with heating elements
- Evaporation of condensation water: automatic condensate evaporation
- Optional equipment: drawer units
- Supply with: 1 GN 1/1 shelf each door





Technical Data:

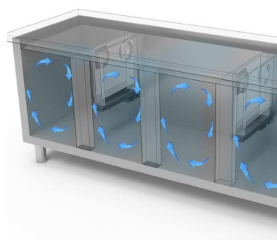
Body Height	mm	665
Doors	nr	3
Capacity (net)	l	271
Capacity (gross)	l	414
External dimensions (WxDxH)	cm	176 x 70 x 85
Insulation thickness	mm	50
Tray pitch	mm	75
Rack positions	nr	7
Stainless steel top thickness	mm	10/10 H 40
Top type		AISI 304 normal
Evaporators	nr	1
Standard lock		NO
Standard light		NO
Temperature	°C	-2/+8°C
Condensing unit		plug-in unit
Gas		R290
Ventilation control		NO
Humidity control		NO
Max abs. power	W	225
Cooling power	W	405
Input voltage		1x230V ~ 50Hz
Energy efficiency class		B
Energy consumption kWh/24h	kWh/24h	2,07
Energy consumption kWh/year	kWh/year	756,9
Energy efficiency index		30,5
Climate class		5
Packaging dimensions (WxDxH)	cm	76 x 185 x 112
Volume (gross)	mc	1,57
Gross weight	kg	143

Evap. -10°C, Cond +45°C

DETAILS:



Drawer unit detail.



Air circulation



Stainless steel construction with 50mm insulation thickness.



Internal detail.



Color finish (RAL) upon request



Digital touch thermostat



S/S back finish



Ecological gas (R290)



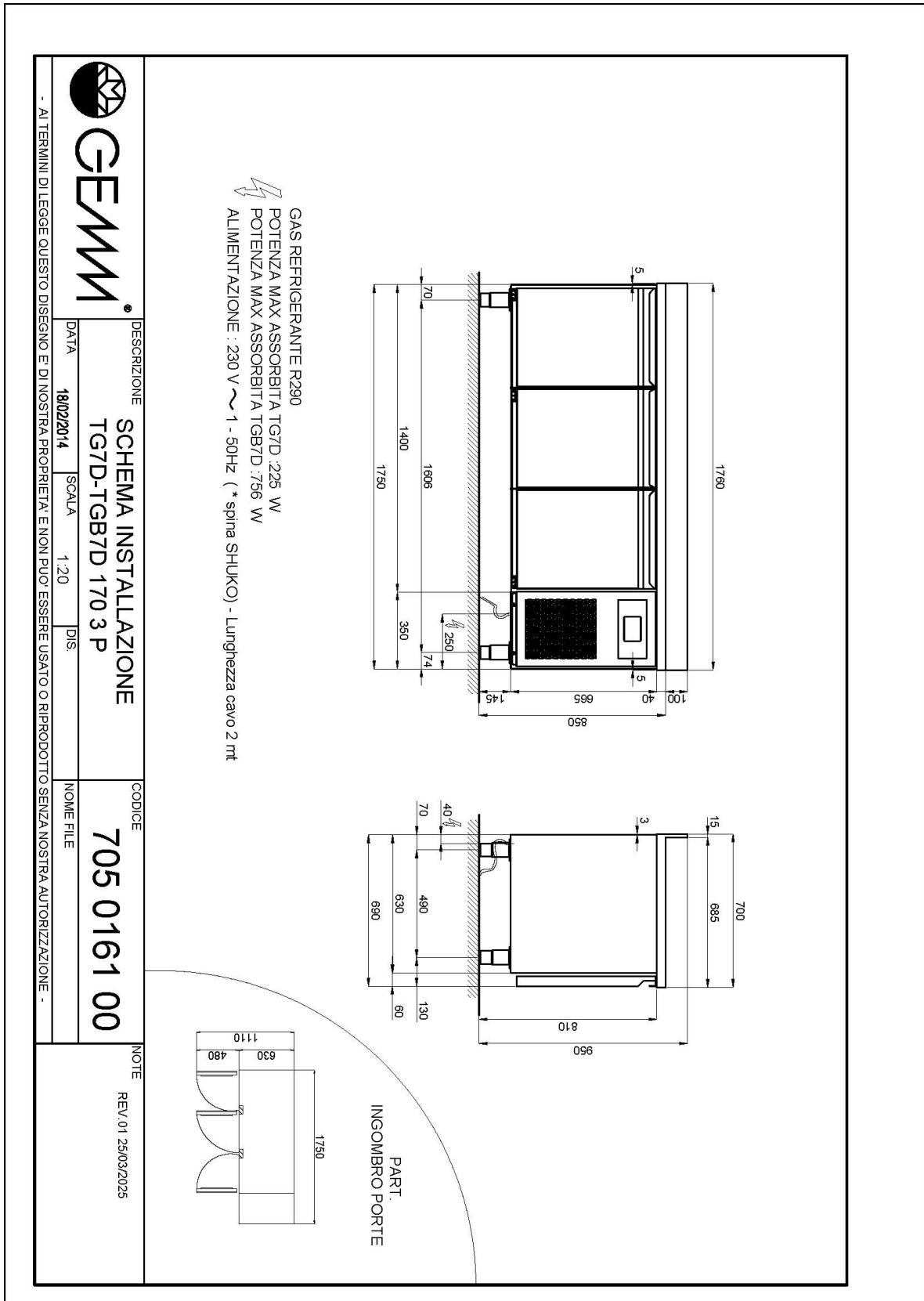
Remote monitoring system  
via GEMM-Cloud Wi-Fi  
connection (on request)

ACCESSORIES:

	CR7/2 Refrigerated drawer unit with 2 1/2 drawers (overprice)	40202300
	CR7/3 Refrigerated drawer unit with 3 1/3 drawers (overprice)	40202305
	CR7/4 Refrigerated drawer unit with 2 1/3+2/3 drawers (overprice)	40202310
	GN 1/1 shelf	40200500
	Stainless steel GN 1/1 shelf	45100240
	Pair of runners for GN 1/1 shelf	40200506
	Stainless steel GN 1/1 tray h 40 mm	40105050
	Stainless steel GN 1/1 tray h 65 mm	40105060
	Stainless steel GN 1/1 tray h 100 mm	40105070
	Stainless steel lid for GN 1/1 tray	40105080
	Set of no. 4 Ø 125 castors	40200530
	Glass door for refrigerated counters 600/700 depth with led light included (overprice)	40202700
	LED light for 3 doors (counter), overprice	40203015
	Wi-Fi supervising system (overprice)	45000565
	60Hz frequency	40200560



INSTALLATION DIAGRAM:



TG7D/170

ECOLABEL:

